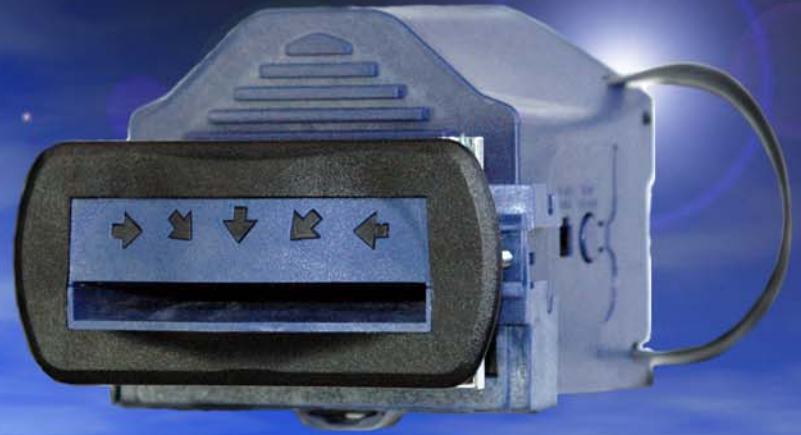




PYRAMID
TECHNOLOGIES, INC.

www.pyramidacceptors.com



- Simple Configuration and Updates
- Dual-stage optical anti-stringing
- High security against counterfeits
- Simple on-board diagnostics
- Accepts bills up to 85mm wide
- Automatic self-calibration
- Lockable / removable cash box (stackered model)



Various bezel options & stackered model also available



Pyramid Technologies, Inc.
1718 North Quail Mesa, AZ 85205 USA
Phone: 480-507-0088
E-mail: sales@pyramidacceptors.com



Model Number Guide

(Bezels 0, 1, 7, 8 and 9 are for Stackerless Model Only)

Bezel Type

- 0- Stackerless-only (Notes up to 82 mm in width)
- 1- Euro Style Bezel (Notes up to 85 mm in width)
- 2- USA Style Bezel (Notes up to 66 mm in width)
- 3- USA Style Bezel (Notes up to 72 mm in width)
- 4- USA Style Bezel (Notes up to 74 mm in width)
- 5- USA Style Bezel (Notes up to 82 mm in width)
- 6- USA Wide Bezel (Notes up to 85 mm in width)
- 7- Euro with 66 mm Inserts.(Notes up to 66 mm)
- 8- Euro with 72 mm Inserts (Notes up to 72 mm)
- 9- Euro with 74 mm Inserts (Notes up to 74 mm)

Power Supply/Communication Options

- 1- 12 VDC Pulse Mode only (4-pin harness included)
- 2- 12 VDC Parallel/Parallel Binary & CC-Talk (16-pin harness included)
- 3- MDB Multi-Drop Bus (MDB harness included)
- 4- 12 VDC USB Operation (Power / USB harness included)

T5

X

X

X

XXX

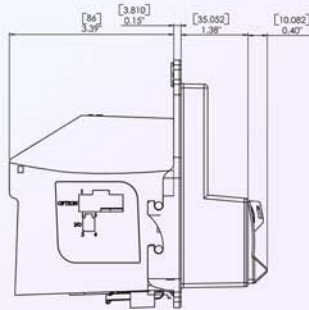
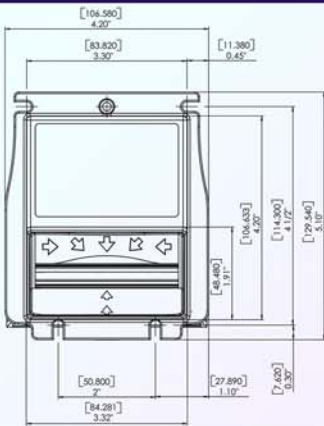
Cashbox

- C- 500 Note Cassette - No Lock
- D- 500 Note Cassette - Lock Installed
- N - Stackerless (None)

Country Code

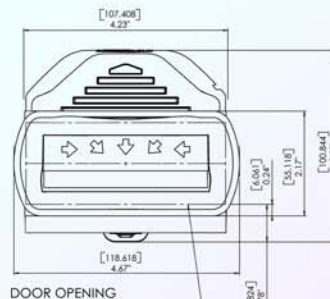
- ISO three (3) digit code
- Example EUR = Euro notes

Stackerless Dimensions

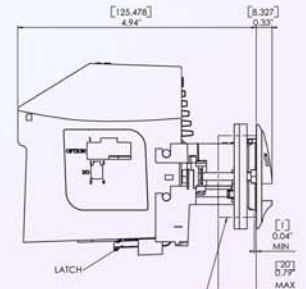


USA Style Bezel

Euro Style Bezel



DOOR OPENING
105mm X 43mm (4 1/8" X 1 11/16")



DOOR THICKNESS

Stacked Dimensions

