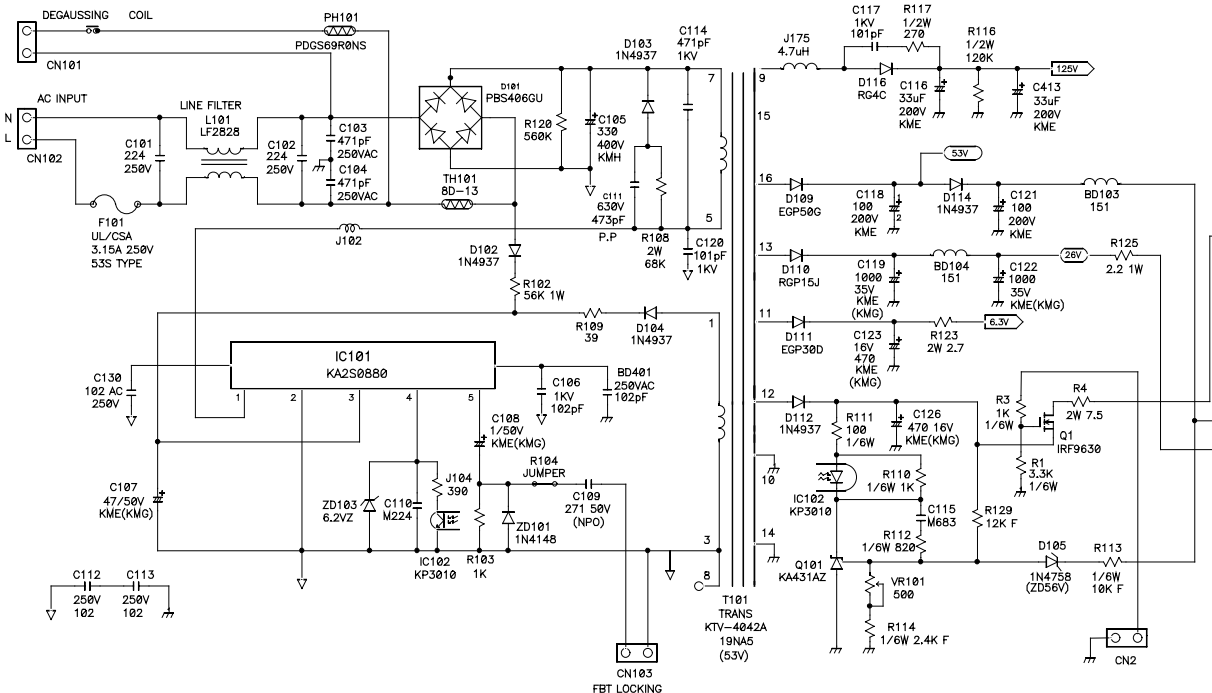
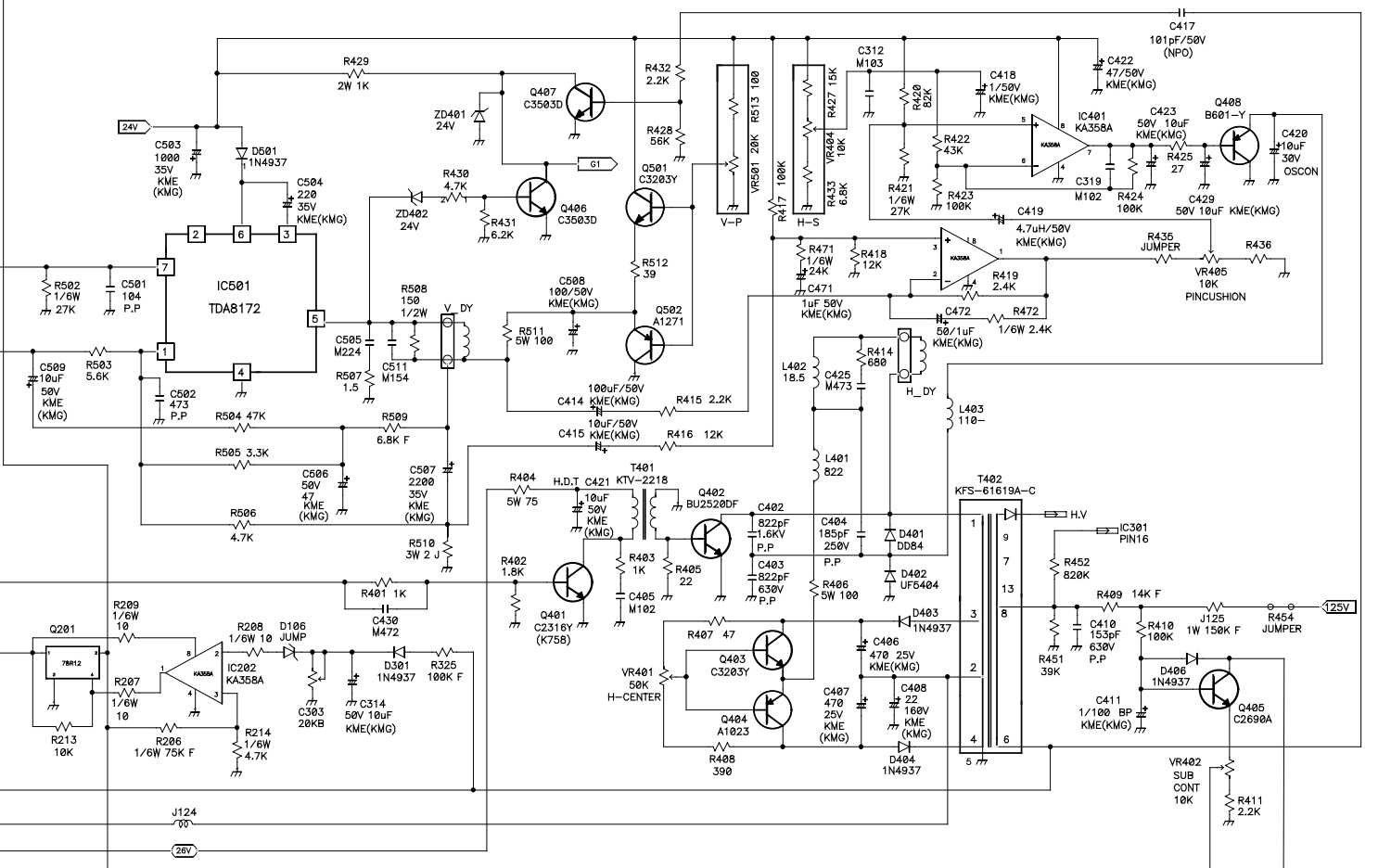
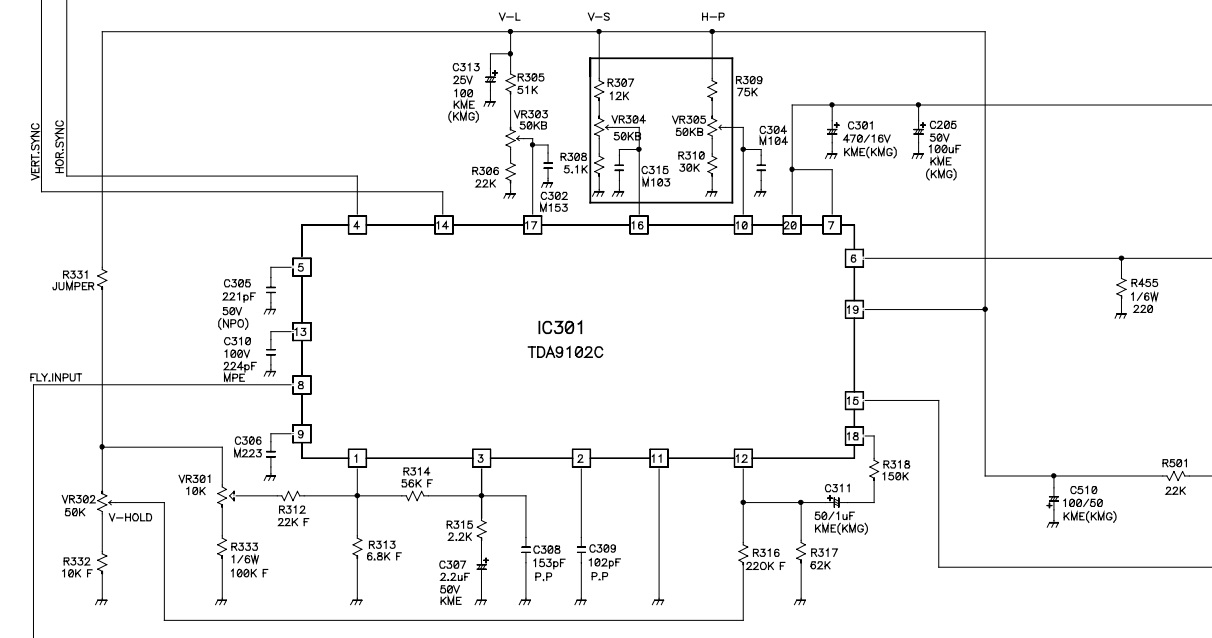
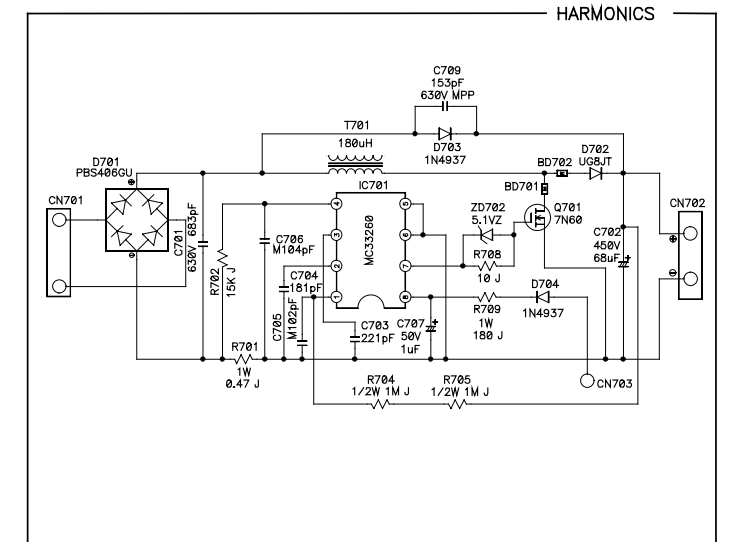
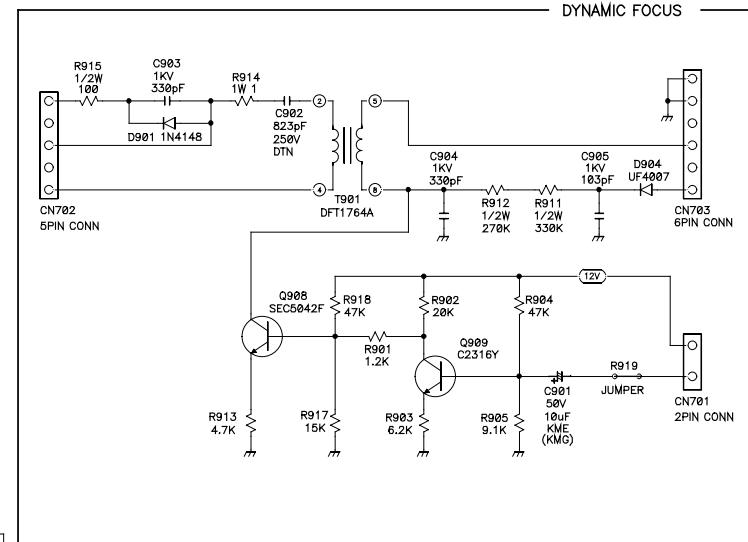
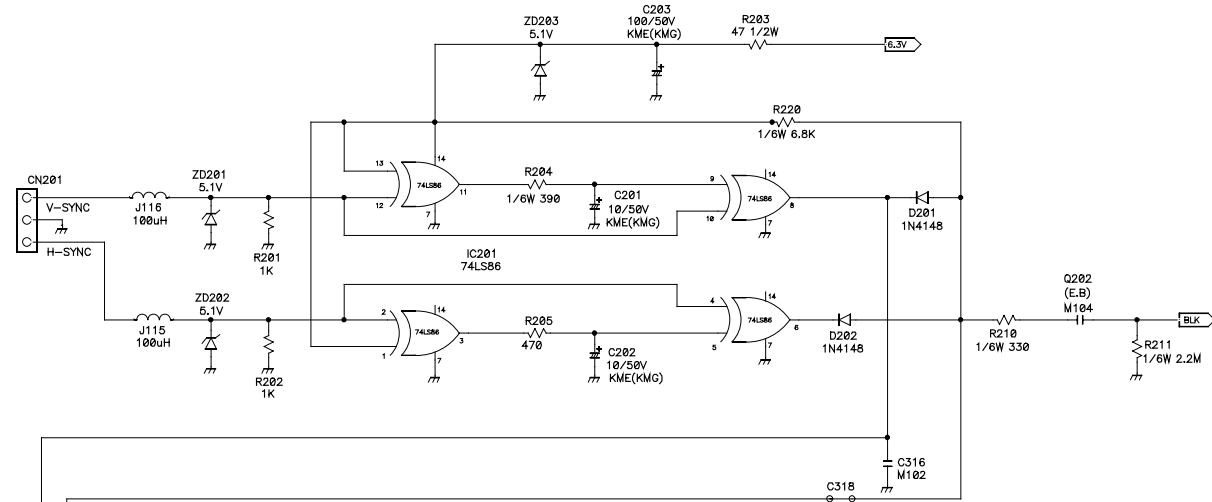


MODEL NAME : KT-1903NA

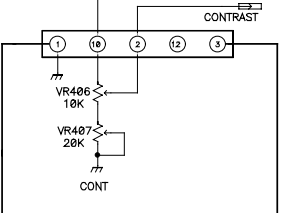
BUYER : I.G.T

UPDATE : 2003.02.24



WARNING : THIS EQUIPMENT CONTAINS SAFETY CRITICAL COMPONENT
 ALL PARTS SHOWN THE MARKS OF THE SCHEMATIC ARE SAFETY CRITICAL
 FOR CONTINUED SAFETY REPLACE SAFETY CRITICAL COMPONENTS ONLY
 WITH MANUFACTURERS RECOMMENDED EXACT REPLACEMENTS.

1. RESISTOR VALUES ARE IN (OHM). K=1000 . M=1000000.
 2. ALL RESISTOR ARE 1/4W EXCEPT WHERE OTHERWISE INDICATED
 3. ALL CAPACITOR ARE 50V EXCEPT WHERE OTHERWISE INDICATED
 4. CAPACITOR VALUES ARE UF UNLESS OTHERWISE INDICATED
- UF = 10-6 bF



KT1903NA Neck Board

